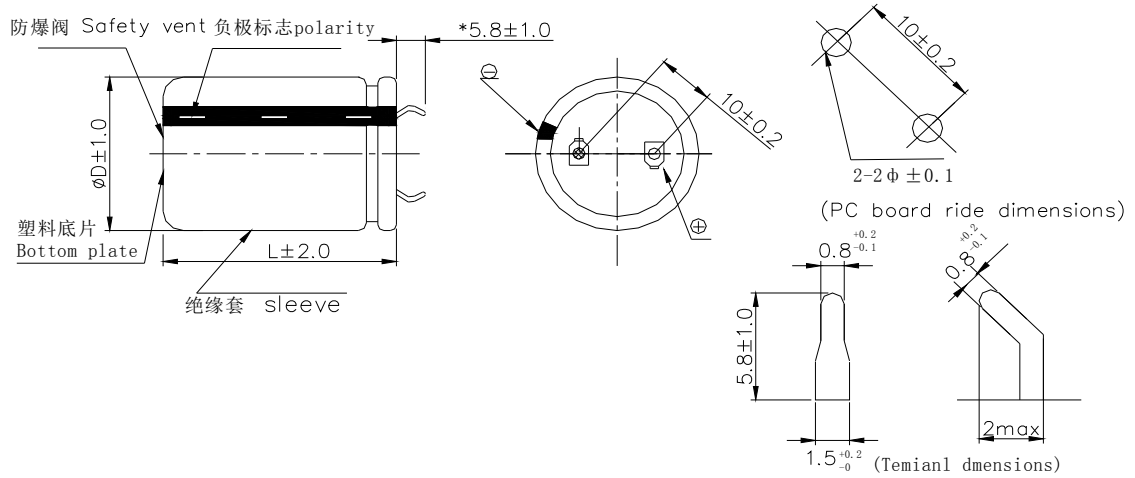




**◆产品结构**
**Product Structure**

**◆主要特性表**
**Main specifications**

项目 Item	主要特性 Performance Characteristics	
额定工作电压范围 Rated Voltage Range	10~100V.DC	160~450V.DC
使用温度范围 Operating Temperature Range	-40℃~+105℃	-25℃~+105℃
标称静电容量范围 Nominal Capacitance Range	470~100000μF	47~2200μF
静电容量允许偏差 Capacitance Tolerance	±20% (M, +25℃, 120Hz)	
漏电流 Leakage Current (25℃)	额定工作电压(V) Rated working voltage	10~450
	漏电流 Leakage current	5 分钟后 $I \leq 3 \sqrt{CV} (\mu A)$ After 5 min. $I \leq 3 \sqrt{CV} (\mu A)$
C: 标称静电容量 (μF) Nominal Capacitance in μF V: 额定工作电压 (V) Rated working voltage in V		
损耗角正切 DF Dissipation Factor	额定工作电压(V) Rated working voltage	10 16 25 35 50 63 80 100 160~250 350~450
	DF(MAX) (25℃,120Hz)	0.55 0.50 0.45 0.40 0.35 0.30 0.25 0.20 0.15 0.15

浪涌电压 Surge Voltage	额定工作电压(V) Rated working voltage	10	16	25	35	50	63	80	100	160	200	250	350	400	450
	浪涌电压(V) Surge voltage	13	20	32	44	63	79	100	125	200	250	300	400	450	500
温度特性 Temperature Stability	额定工作电压(V) Rated working voltage		10~100		160~250		350~450								
	阻抗比(120Hz) Impedance Ratio	z-25°C/z+25°C		3	3	8									
		z-40°C/z+25°C		12	-----										
高温负荷特性 Load life	<p>在+105°C 环境中施加额定工作电压和最大允许纹波电流 2000 小时后,电容器的性能符合下面要求:</p> <p>After application of rated working voltage with max permissible ripple current specified at +105°C for 2000 hours, capacitors meet the characteristics requirements measured at +20°C listed at below:</p> <p>1、电容量变化率:±20%初始测量值以内 Capacitance change : ±20% initial measured value</p> <p>2、漏电流: ≤初始规定值 Leakage current: ≤initial specified value</p> <p>3、损耗角正切值≤200%倍初始规定值 Dissipation factor: ≤200% initial specified value</p>														
高温贮存特性 Shelf life	<p>在+105°C环境无负荷放置 1000 小时后, 根据 JIS-C-5101-4, 加额定电压 30min., 常温放置 24~48 后测试, 电容器的性能符合下面要求:</p> <p>After leaving capacitors under no load at +105°C for 1000 hours, According to JIS-C-5101-4, apply the rated DC voltage for 30 minutes and store the capacitors under room temperature for 24-48 hours. The capacitors meet the characteristics listed as below:</p> <p>1、电容量变化率:±20%初始测量值以内 Capacitance change : ±20% initial measured value</p> <p>2、漏电流: ≤200%初始规定值 Leakage current: ≤200% initial specified value</p> <p>3、损耗角正切值≤200%倍初始规定值 Dissipation factor: ≤200% initial specified value</p>														

**◆尺寸表、允许纹波、电流纹波电流频率因子**

Dimensions and ripple current and frequency coefficient

纹波电流频率因子

Ripple current frequency coefficient

Freq(Hz) WV(V)	50	60	120	1K	≤10K
10~100	0.88	0.90	1.00	1.10	1.15
160~250	0.80	0.80	1.00	1.14	1.18
350~450	0.78	0.80	1.00	1.10	1.15

**尺寸表与允许纹波电流**
**Dimensions and ripple current**

WV/V Cap/μF	10		16		25		35		50		63		80		100		
	(1)	(2)	(1)	(2)	(1)	(2)	(1)	(2)	(1)	(2)	(1)	(2)	(1)	(2)	(1)	(2)	
470																22×25	0.95
560																22×30	1.00
680																22×30 25×25	1.09
820																25×30	1.20
1000												22×25	1.10	22×25	1.19	25×30	1.47
1200												22×30	1.20	25×25	1.30	22×40	1.50
1500												22×30 25×25	1.38	22×30 25×25	1.59	22×45 25×40	1.89
1800												25×30	1.50	25×30	1.80	25×45	2.10
2200										22×30 25×25	1.46	22×35 25×30	1.66	22×40 25×35	2.01	25×50 30×40	2.48
2700										22×30 22×35	1.40 1.50	25×35	1.80	25×40	2.20	30×45	2.70
3300							22×25	1.54	22×35 25×30	1.72	25×35 30×30	2.15	25×45 30×35	2.50	30×50 35×45	3.25	
3900							22×30	1.60	25×30	1.80	30×35	2.40	30×40	2.80	35×50	3.50	
4700					22×25	1.8	22×35 25×25	1.87	25×35 30×30	2.25	25×50 30×40	2.77	30×45 35×35	3.30	30×60 35×50	3.80	
5600							25×30	2.00	30×35	2.50	30×45	3.10	35×40	3.60	35×60	4.10	
6800			22×25	1.66	22×35 25×25	1.88	22×40 25×35	2.28	25×45 30×35	2.91	30×50 35×40	3.61	30×50 35×45	3.90	35×50	4.10	
8200			25×25	1.80	25×40	2.00	25×40	2.40	30×45	3.10	35×50	3.80	35×50	4.10			
10000	22×25	1.65	22×30 25×30	2.07	25×35 30×30	2.38	25×45 30×35	2.78	30×50 35×40	3.57	30×60 35×50	4.69	35×60	4.30			
12000	22×30	1.80	25×35	2.20	25×40	2.50	30×40	3.00	35×50	4.10							
15000	22×35 25×30	2.01	25×35 30×30	2.54	25×45 30×35	3.00	30×45 35×35	3.70	35×50	4.76							
18000	25×35	2.20	30×35	2.81	30×40	3.40	35×40	4.00									
22000	25×35 30×30	2.59	25×45 30×35	3.31	30×40 35×35	3.92	30×50 35×45	4.90									
27000	30×35	2.80	30×40	3.60	35×45	4.10	35×50	5.10									
33000	25×45 30×35	3.43	30×45 35×40	4.33	30×60 35×50	5.13	35×60	6.30									
39000	30×40	3.80	35×45	4.50	35×50	5.20											
47000	30×45 35×40	4.20	30×50 35×45	5.49	35×60	6.65											
56000	35×45	4.50	35×50	5.60													
68000	30×60 35×50	5.50	35×60	7.00													
82000	35×60	5.80															
100000	35×60	7.10															

(1)外形尺寸 Case Size D×L(mm)

(2)最大允许纹波电流 Max allowable ripple current (A rms +105℃,120Hz)

WV/V Cap/μF	160		200		250		350		400		450		
	(1)	(2)	(1)	(2)	(1)	(2)	(1)	(2)	(1)	(2)	(1)	(2)	
47									22×25	0.37	22×25	0.40	
56									22×30	0.42	22×30	0.46	
68								22×30	0.47	25×25	0.56	22×30 25×25	0.53
82								22×35	0.50	22×30	0.60	22×30	0.60
100								22×35 25×25	0.70	22×35 25×30	0.69	22×40 25×30	0.64
120								25×30	0.80	25×35	0.75	25×35	0.70
150					22×25	0.70	25×30	0.82	22×40 25×35	0.82	25×40 30×30	0.79	
180					22×25	0.75	25×35	1.00	22×45	0.90	30×35	0.85	

WV/V Cap/μF	160		200		250		350		400		450	
	(1)	(2)	(1)	(2)	(1)	(2)	(1)	(2)	(1)	(2)	(1)	(2)
220	22×25	0.75	22×25	1.00	22×35 25×25	1.00 0.80	25×35 30×30	1.03	22×35 25×40	0.90 1.00	25×35 25×50	0.9 1.00
270	22×25	0.80	22×30	1.10	25×35	1.20	30×35	1.10	30×40	1.10	30×45	1.10
330	25×25	1.00	22×35 25×30	1.20	25×35 30×30	1.20	25×45 30×35	1.30	30×30 30×45	1.10 1.20	30×50 35×40	1.38 1.38
390	22×30	1.10	25×35	1.30	30×35	1.30	30×40	1.40	35×40	1.30	35×45	1.40
470	22×35 25×30	1.30	22×40 25×35	1.40	25×50 30×40	1.40	30×45 35×35	1.65	35×40 35×45	1.40	35×50	1.50
560	30×30	1.50	30×35	1.50	30×45	1.50	35×45	1.80	35×50	1.50		
680	25×40 30×30	1.60	30×40 35×35	1.70	30×45 35×40	1.70	35×50	2.00	30×45 35×60	1.40 1.80	35×60	1.60
820	25×35 30×35	1.40 1.80	30×30 35×40	1.60 1.80	35×45	1.80	35×50	1.80	35×45 35×60	1.65 1.80	35×60 35×70	2.20
1000	30×40 35×35	2.20	30×45 35×40	2.20	35×40 35×50	2.00 2.20	35×45 35×55	2.10 2.30	35×50 35×70	2.10 2.40	35×70	2.50
1200	35×40	2.30	35×40 35×45	2.20 2.30	35×60	2.40					35×80	2.50
1500	30×50	2.50	30×60	2.70								
1800	35×50	2.80	35×60	2.80								

(1)外形尺寸 Case Size D×L(mm)

(2)最大允许纹波电流 Max allowable ripple current (A rms +105℃,120Hz)

◆包装

Packaging

产品尺寸 Size	纸盒 Inter Box	隔卡 Separator	数量/盒(只) Pcs/Box	外箱 Outside Box	盒/箱 Pcs/Case	数/箱(只) Pcs/Case
φ22X25~30	D35-43	F-224	135	B-4	7	945
φ22X35~40	D35-53	F-225	135	B-4	6	810
φ22X45~50	D35-63	F-226	135	B-4	5	675
φ25X25~30	D35-43	F-254	105	B-4	7	735
φ25X35~40	D35-53	F-255	105	B-4	6	630
φ25X45~50	D35-63	F-256	105	B-4	5	525
φ25X60	D35-76	F-257	105	B-4	4	420
φ25X65	D35-80	F-358	105	B-4	3	315
φ30X25~32	D35-43	F-304	75	B-4	7	525
φ30X35~40	D35-53	F-305	75	B-4	6	450
φ30X45~50	D35-63	F-306	75	B-4	5	375
φ30X55~60	D35-76	F-307	75	B-4	4	300
φ30X70	D35-80	F-308	75	B-4	3	225
φ35X25~30	D35-43	F354	60	B-4	7	420
φ35X35~40	D35-53	F-355	60	B-4	6	360
φ35X45~50	D35-63	F-356	60	B-4	5	300
φ35X55~60	D35-76	F-357	60	B-4	4	240
φ35X70~80	D35-80	F-358	60	B-4	3	180